

# A Biologically Plausible Architecture for the Computation of Orientation Dominance

Kritika Muralidharan, Nuno Vasconcelos, Statistical Visual Computing Lab. dept. of Electrical and Computer Engineering, UCSD

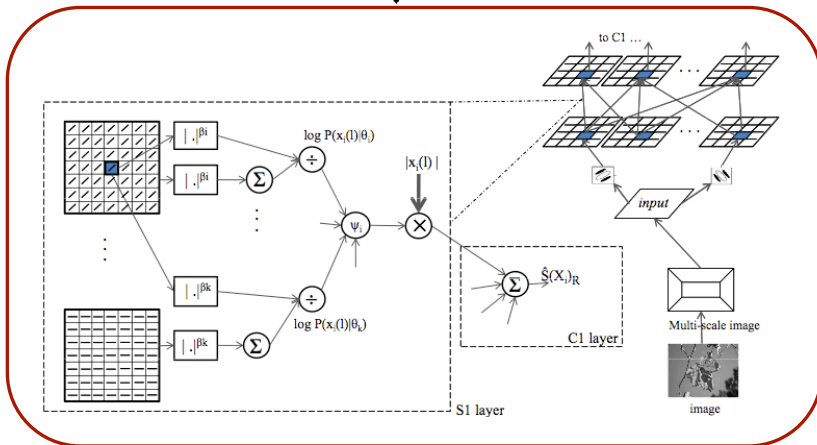
Computer Vision Research

Computational Neuroscience Research

SIFT (encodes most "dominant" orientation at each point)

Standard V1 Architecture

Decision theoretic formulation of SIFT question i.e. find the *dominant* orientation



Statistically Optimal Solution implementable using standard V1 operations.

## Biological Properties

